

## PYROBOX-1X2P | Snow Melting Power Distribution Cabinet

### Features & Benefits

- Power Distribution box for deicing and snow melting applications
- Works with PYROSELF24 as optional sensor and controller
- Up to 30A @ 120VAC or 240V output to heaters
- Alarm output for GFCI trip indication
- ETL certification
- Integrated Ground Fault Equipment Protection (30mA)



## PYROBOX-1X2P | Snow Melting Power Distribution Cabinet

### Description

---

The PYROBOX-1X2P is a "Plug and Play" electrical cabinet for frost protection, ice and snow melting applications.

When connected to a PYROSELF24 (Optional and sold separately), a signal from the snow sensor activates the contactor energizing the heating element. Other 24V input are capable to activate the contactor therefore the PYROBOX-1X2P is a generic contactor panel that can work with any controller by all brands.

The PYROBOX-1X2P Built-in Ground Fault Equipment Protection (GFEP) allows setting a tripping current of 30mA.

An alarm output (24VAC) can operate Light/Buzzer or output to B.M.S.

Installing the system is a quick and easy task. Apart of mounting the box to the wall, the installer needs only to connect the power line in and line out wires in the marked terminals, wire the PYROSELF24 and the system is ready to work.

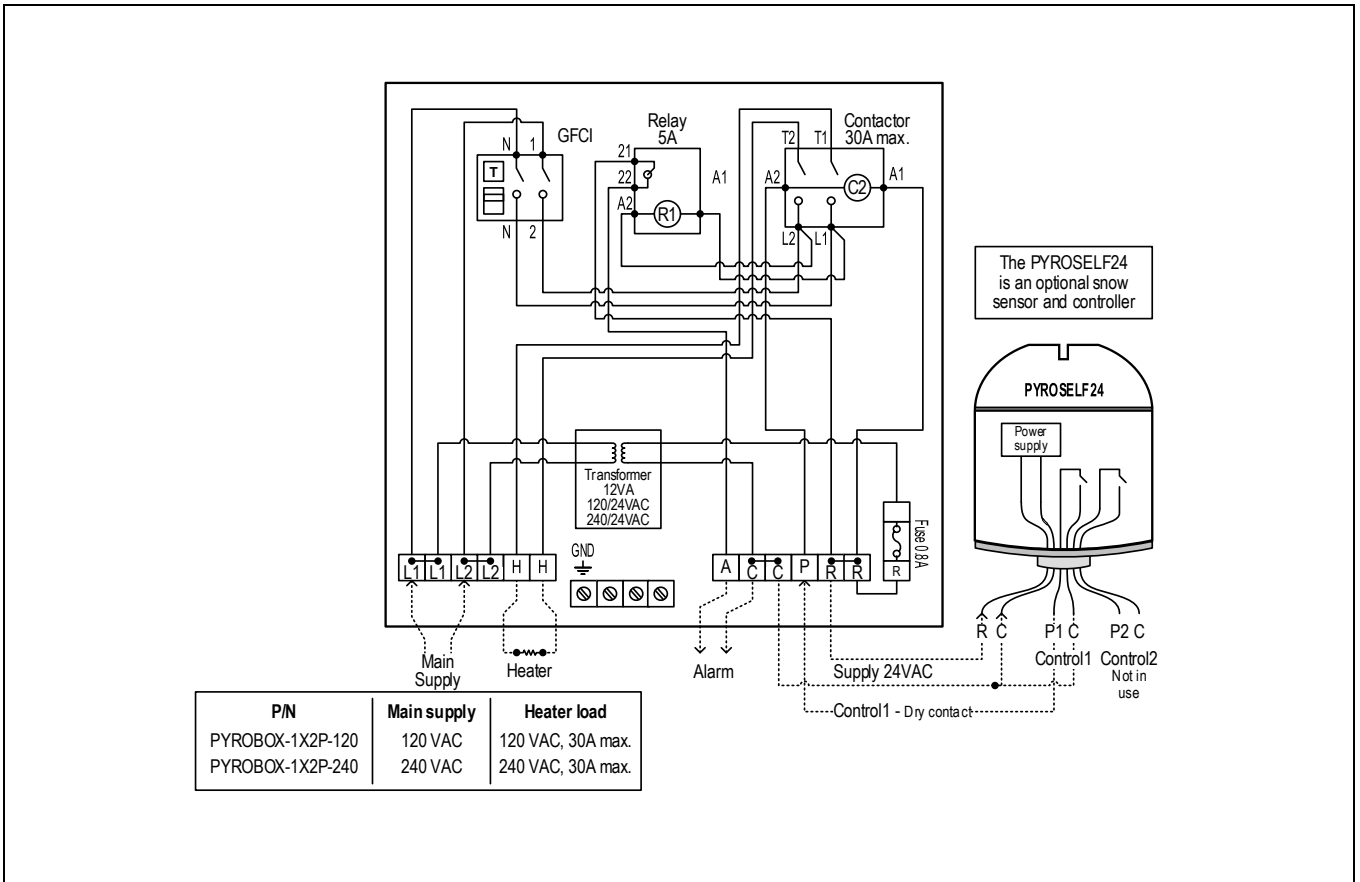
### Ordering Information

---

Part Number	Description
PYROBOX-1X2P-120	For 120VAC heating loads
PYROBOX-1X2P-240	For 240VAC heating loads
PYROSELF24	Aerial Snow Sensor & Controller at 24VAC
PYROSB	Adjustable wall mounting metal bracket for the Snow Sensor

# PYROBOX-1X2P | Snow Melting Power Distribution Cabinet

## General system layout and wiring



## Technical specifications

<b>Approvals</b>	ETL Listed	<b>Manual Reset GFEP</b>	Push button inside the Cabinet
	CAN/CSA-C22.2 No. 14		
	UL-508A		
<b>Enclosure Protection</b>	IP65, Outdoor Mounting	<b>Contactors</b>	<u>120VAC model:</u>
<b>Dimensions</b>	12.5X9X5.5 Inches		120 VAC, 30 A Max (Resistive),
	(31x23x14cm)		50/60 Hz, 2-Poles
<b>Ground Fault</b>	30 mA	<b>Terminal blocks</b>	<u>240VAC model:</u>
			240 VAC, 30 A Max (Resistive),
<b>Equipment Protection</b>			50/60 Hz, 2-Poles
			6 mm <sup>2</sup> ,10 AWG (max)

For further information, operating & installation manual, please refer to our website at [www.meitavtec.com](http://www.meitavtec.com)

The performance specifications are nominal and conform to acceptable industry standards. For applications at conditions beyond these specifications, consult the local Meitav-tec office or representative. Meitav-tec shall not be liable for damages resulting from misapplication or misuse of its products.

This document is subject to change without any notice.

© Copyright 3.2024 Meitav-tec Ltd'. All rights reserved.