

PYROBOX-2X3P | Power box with 2 X 3 Phase contactors

Features & Benefits

- Power distribution for deicing and snow melting
- Outdoor rated IP65
- Up to 2 zones activation
- Works with PYROSELF24 as a sensor&controller or any other sensor/remote-switch
- 2 x 3 phase contactors – 50Amp.
- Integrated adjustable Ground Fault Sensor
- GFCI Alarm output
- ETL certification



Description

The PYROBOX-2X3P is a "Plug and Play" power distribution panel for frost protection, ice and snow melting applications, using a 24VAC controller.

When receiving a signal from the snow sensor/s, it activates the contactors energizing the heating elements.

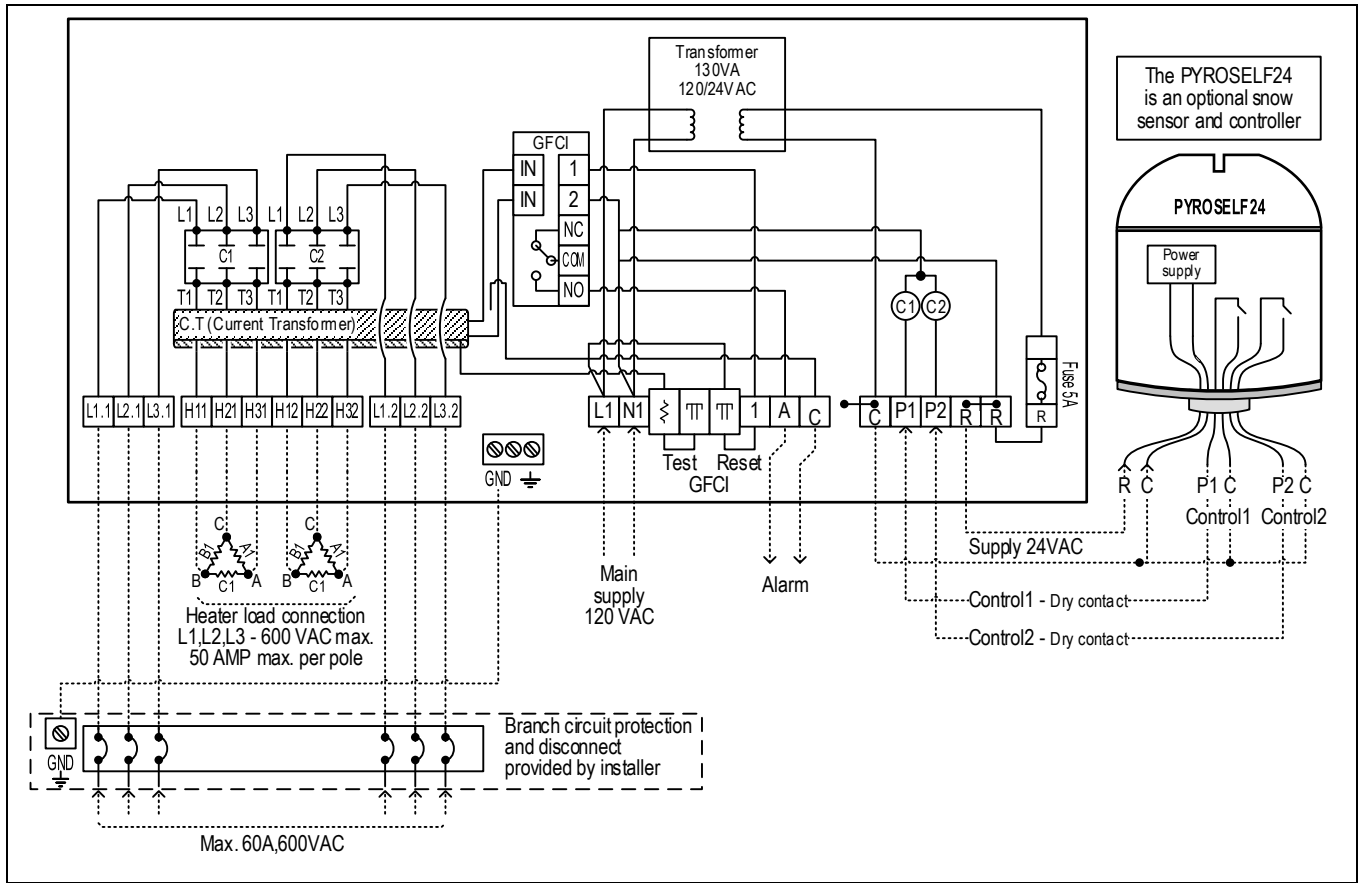
The PYROBOX-2X3P has ETL Certification for UL508A standard.

The PYROBOX-2X3P is equipped with Low voltage (24v) Alarm signal output for Ground Fault tripping. The Built-in Ground Fault protection device allows settings for the tripping current between 0.1 – 1.0 A. The GFS adjustable time delay provides a simple and safe protection from nuisance tripping.

Installing the system is a quick and easy task. Apart of mounting the metal box to the wall, the installer needs only to connect the line in and line out wires in the marked terminals and the system is ready to work. Outdoor rated IP65

PYROBOX-2X3P | Power box with 2 X 3 Phase contactors

General system layout and Wiring diagram



Technical specifications

Approvals	ETL Listed	Manual Reset GFS	Push button on DIN RAIL
	CAN/CSA-C22.2 No. 14 UL-508A		Two Satellite Contactors
Enclosure Protection	IP65, Outdoor Mounting	Terminal blocks	6 mm ² , 10 AWG (max)
Dimensions	11.8x15x6.1" (30x38x15.5 cm)		
Ground Fault	Adjustable trip current 0.1-1 A		
Equipment Protection	(default 0.2A)		
GFS	Adjustable time delay 0.1-1 sec. (default 0.1 sec.)		

The performance specifications are nominal and conform to acceptable industry standards. For applications at conditions beyond these specifications, consult the local Meitav-tec office or representative. Meitav-tec shall not be liable for damages resulting from misapplication or misuse of its products.

This document is subject to change without any notice.