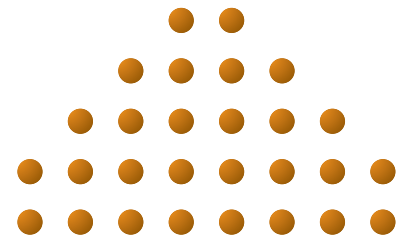


OJ Microline®  
UTN



**3**  
YEAR  
warranty

THERMOSTATS FOR COMFORT HEATING

# OJ Microline® thermostat with built-in Class A GFCI

Optimal comfort in controlling electrical underfloor heating

EFFICIENT, INTUITIVE AND STYLISH

- Simple user interface and thoughtful installation design
- Easy to use with no need for use of manual
- Screw terminals for safe and easy installation
- Dual voltage: 120 V or 240 V
- Output relay: 15 A
- Large back-lit display for easy reading
- Class A GFCI: suitable for wet room installation

APPROVED QUALITY

c-UL-us

GFCI Class A, 5 mA trip level

GFCI disconnects line and neutral (L2)

PRODUCT PROGRAM:

UTN-4991 Incl. floor sensor with 3 m (10 ft) cable

#### Thermostat control

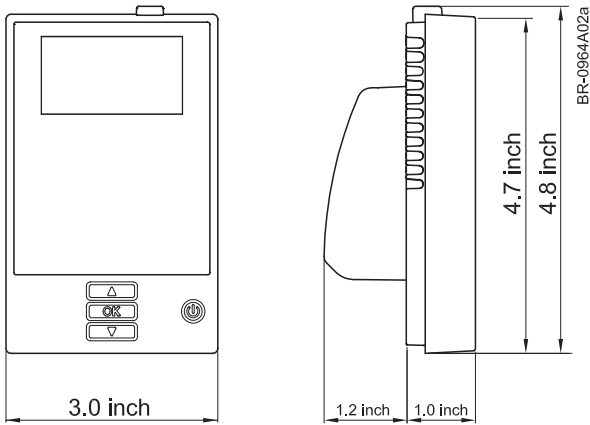
The thermostat is an electronic on/off thermostat for controlling temperature by means of a sensor placed externally. The heat output is switched on and off with a difference of only 0.7°F (0.4°C)

The thermostat can be configured for control of floor temperature and regulator without sensor.

It is compatible with existing floor sensors by means of a temperature setting, making it the best thermostat for renovation purposes.

#### Class A GFCI

The thermostat features a built-in Class A GFCI (Ground Fault Circuit Interrupter). Should a ground fault occur, the GFCI disconnects both lines to the heating element. The thermostat and GFCI are dual voltage models suitable for 120/240 V, 50/60 Hz power supplies.



### c-UL-us according to the following standards:

Thermostat: UL 873  
CSA 22.2 No. 24

UL file number: E157297

GFCI: UL 943  
CSA C22.2 No. 144.1-06

### Offset adjustment

The thermostats set-point can be adjusted, matching the actual floor temperature. This ensures a 100% actual measurement and control of your underfloor heating system.

### Adjustable scale

The thermostat controls floor temperatures from +41°+104°F. The scale can be adjusted if wanted within this temperature range.

### TECHNICAL DATA

Supply ..... 120/240 Vac 50/60 Hz

Load ..... 15A maximum (resistive load)

Power ..... 1.800 W at 120 Vac / 3.600 W at 240 Vac

GFCI ..... Class A (5 mA trip level)

Temperature range ..... +41 to +104°F.(+5 to +40°C)

Amb. Temp. range ..... +32 to +104°F (0 to +40°C)

On/Off differential ..... 0.7°F (0.4°C)

Regulation principle..... PWM / PI

Housing ..... Nema 2 (IP21)

Floor sensor type..... NTC (12 KΩ) 10 ft (3 m.)

Dimensions(H/W/D) ..... 4,8/3,0/1,0 inch (123/75/25mm)